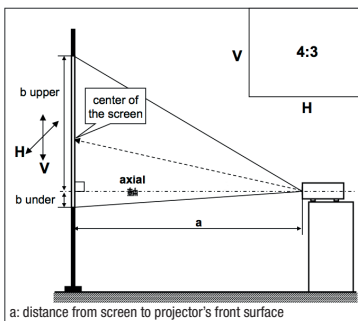
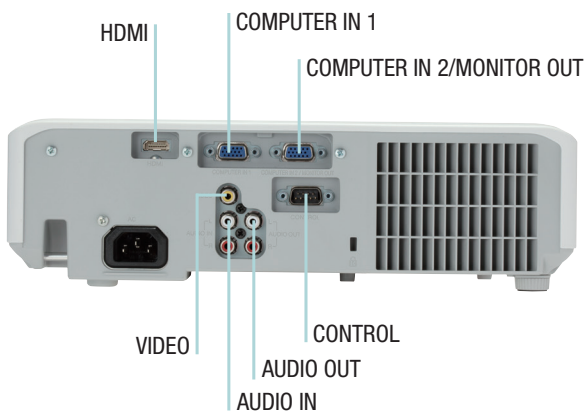


CP-EX400

Technical Specifications



THROW DISTANCE

Screen size	HxV	Wide a	Tele a	b under	b upper	
[inch]	[m]	[m]	[m]	[m]	[cm]	
30	0.6	0.5	0.9	1.0	7	39
40	0.8	0.6	1.2	1.4	9	52
50	1.0	0.8	1.5	1.8	11	65
60	1.2	0.9	1.8	2.1	13	78
70	1.4	1.1	2.1	2.5	15	91
80	1.6	1.2	2.4	2.9	17	105
90	1.8	1.4	2.7	3.2	20	118
100	2.0	1.5	3.0	3.6	22	131
120	2.4	1.8	3.6	4.3	26	157
150	3.0	2.3	4.5	5.4	33	196
200	4.1	3.0	6.0	7.3	44	261
250	5.1	3.8	7.5	9.1	54	327
300	6.1	4.6	9.1	10.9	65	392

LCD Panel	0.63" MLA w/micro lens array
Resolution	1024x768 (XGA)
Brightness	4200lm
Contrast ratio	2000:1
Lens	Manual Focus
Lamp wattage	225W
Lamp replacement time	5000hr (Normal Mode) / 6000hr Target 10000hr (Eco Mode)
Focus distance	0.9 ~ 9.1 m (WIDE), 1.0~10.9 m (TELE)
Distance to width ratio	1.5 (WIDE), 1.8 (TELE)
Diagonal display size	30" - 300"
Keystone correction	Manual V
Number of colours	8 Bit/colour, 16.7M colours
Computer compatibility	IBM Compatible VGA, SVGA, XGA, WXGA/WXGA+/SXGA/SXGA+/UXGA (compressed), MAC16"
Composite Video	NTSC, NTSC 4.43, PAL, PAL-M, PAL-N, PAL (60Hz), SECAM
Component Video/HDMI Video	480i@60, 480p@60, 576i@50, 576p@50, 720p@50/60, 1080i@50/60, 1080p@50/60
Plug & Play	DDC2B excluding COMPUTER IN 2
Speakers	1W
Picture adjustments	Aspect selection (video, data, HDMI), Equalizing digital gamma correction, Equalizing colour temperature adjustment, 2-3 pull down for NTSC, Mirror reverse image, Up-side down image, Progressive scan, Noise reduction, Overscan
Advanced features	MyScreen, My Memory, My Button (by remote control), My Text, My Source, Picture modes (normal, cinema, dynamic, blackboard, whiteboard, greenboard, daytime, photo), Source naming (English), Resolution setting, Filter timer, Stand-by Audio, Template, Closed Caption (for NTSC & component 480i only), Framelock, Eco Mode (normal, eco, intelligent eco, saver), ImageCare™
Outward	Easy lamp replace from top, Easy access air filter
Power on & off	Direct on, Auto off
Security systems	Password/My screen Password, pin lock, key lock, security bar and slot (for Kensington lock)
OSD languages	W/W Model 33 languages OSD
Digital input	HDMI x1
Computer input	15-pin Mini-D-sub x 2
Monitor output	15-pin Mini-D-sub x 1 impossible to use COMPUTER IN 2 at the same time
Video input	1 x RCA jack composite
Audio input	RCA jack L/R x1
Audio output	RCA jack L/R x1
Control	D-sub 9-pin jack x 1 (RS232C)
Power supply	AC 100V-120V / 3.3A AC220-240V / 1.6A
Power Consumption/Standby	320W/0.5W
Dimensions (W x H x D)	320mmx85mmx245mm, 12.6"x3.3"x9.6" (Excluding feet and extrusions)
Weight	Approx. 2.9kg
Noise level	29dB (Eco) / 37dB (Normal)
Operating temperature	5-35°C
Air filter	Urethane, Replacement cycle: 2000hr (varies according to usage environment)
Certification	UL60950-1/cUL, FCC Part 15 subpart B class B, CE Marking: EN61000-3-2, EN61000-3-3, EN55022 (class B), EN55024 (EMC directive), EN60950-1 (Low voltage directive), WEEE, RoHS, ErP (lot6) compliant, c-tick class B (standard for Australia/New Zealand), GS mark
Accessories Supplied	Power cord Computer Cable Remote Control Unit with batteries User's Manual CD (Operating Guide, Safety Instructions), User's Manual (Concise)
Optional Accessories	Remote controller HLO3031 Lamp P# DT01491
Warranty	3 Years/6 Months** (For education and extended warranties please contact your local dealer)