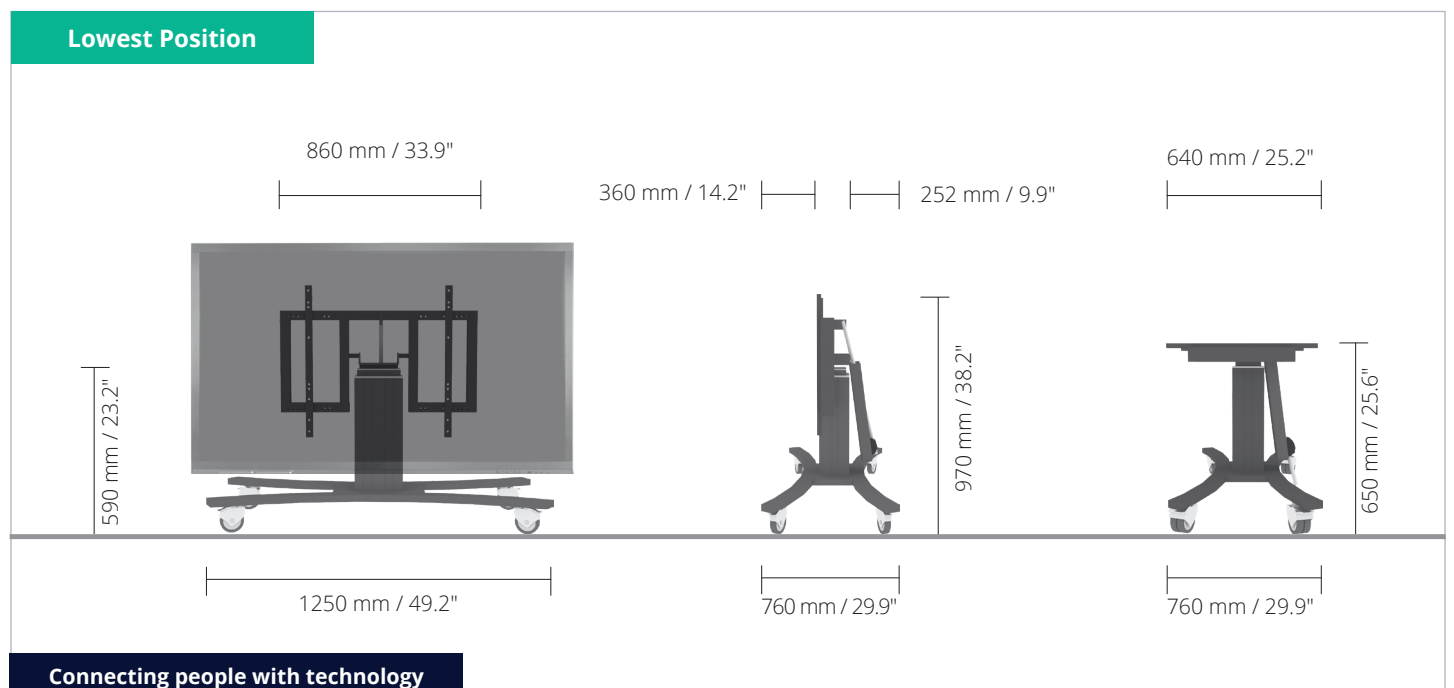
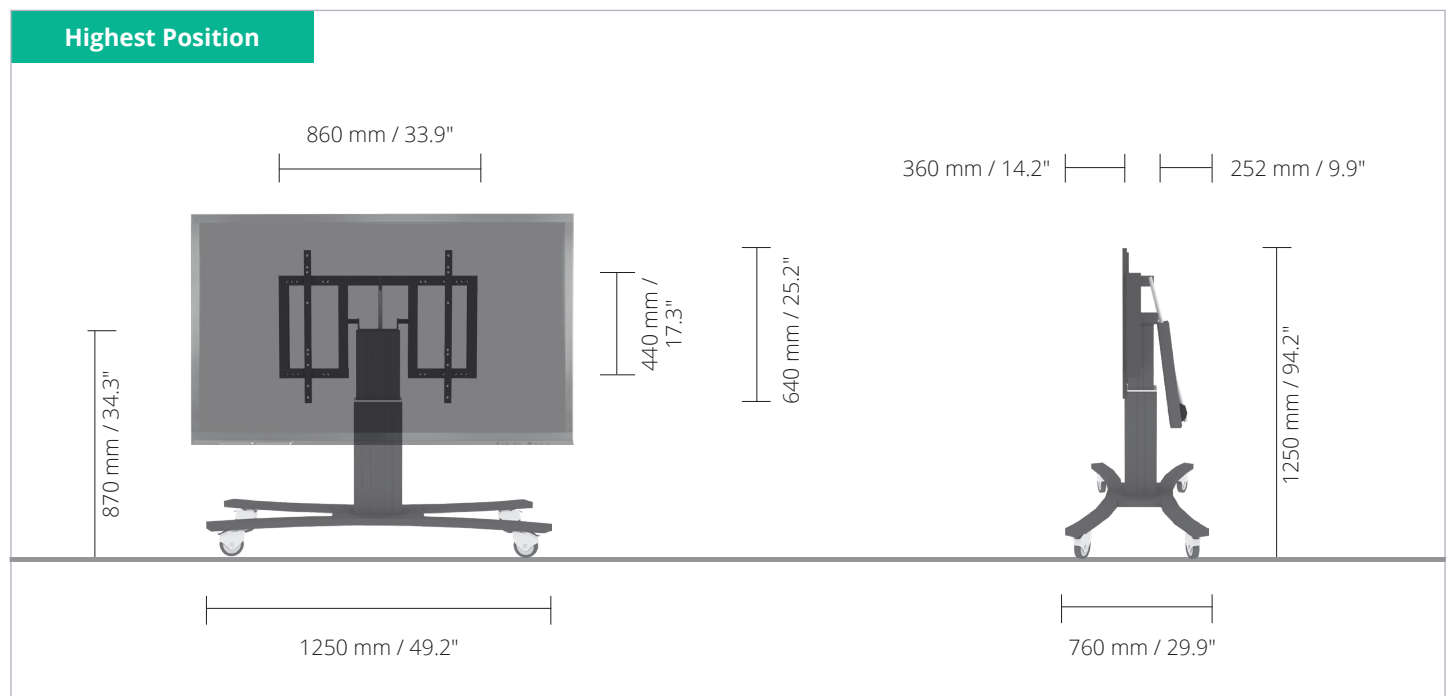


# Mobile Low Access Height & Tilt adjustable trolley for 55" to 65" displays

- Electrical height adjustable column, black anodized.
- 280 mm of height adjustment.
- C-shaped mobile stand with four heavy duty castors – two with brakes, RAL 9005 deep black.
- Display mount for use with up to 65" screens.
- VESA 200 x 200 up to 800 x 600.
- Maximum load approximately 150 kg / 330.7 lbs.



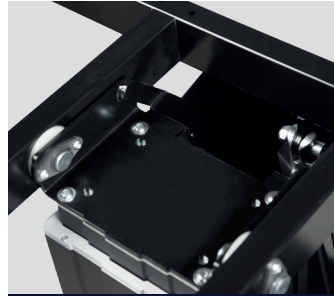
Connecting people with technology

# / Detail views, Accessories & Packing units

## Detail views



Screen secured by screws



Tilt function



Smooth running & lockable castors



Wired remote control

## Accessories



Lockable wall bracket

## Packing units

Item no.	Description	Packing dimensions (mm / ")	Net weight (kg / lbs)	Gross weight (kg / lbs)
CCET-28B	Electrical height adjustable column, 280 mm / 11" height adjustment, L = 500 mm / 19.7"	680 x 270 x 220 / 26.8 x 10.6 x 8.7	15,4 / 34	18,0 / 39.7
AF-SCETTA	Display mount	890 x 770 x 480 / 35 x 30.3 x 18.9	22,1 / 48.7	26,8 / 59,1
MST-SCETA-CB	C-shaped mobile stand	1350 x 780 x 120 / 53.1 x 30.7 x 4.7	12,8 / 28.2	15,5 / 34.2
<b>Total weight</b>			<b>50,3 / 111</b>	<b>60,3 / 132.9</b>

