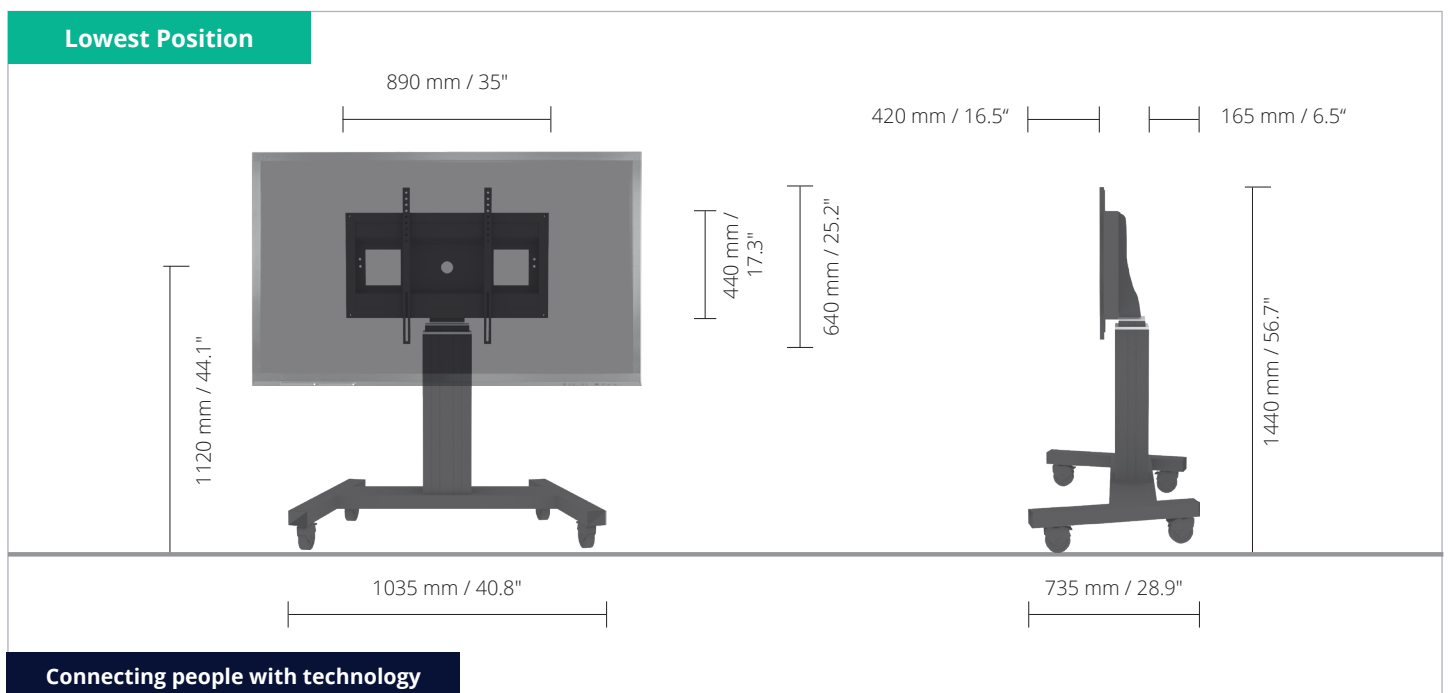
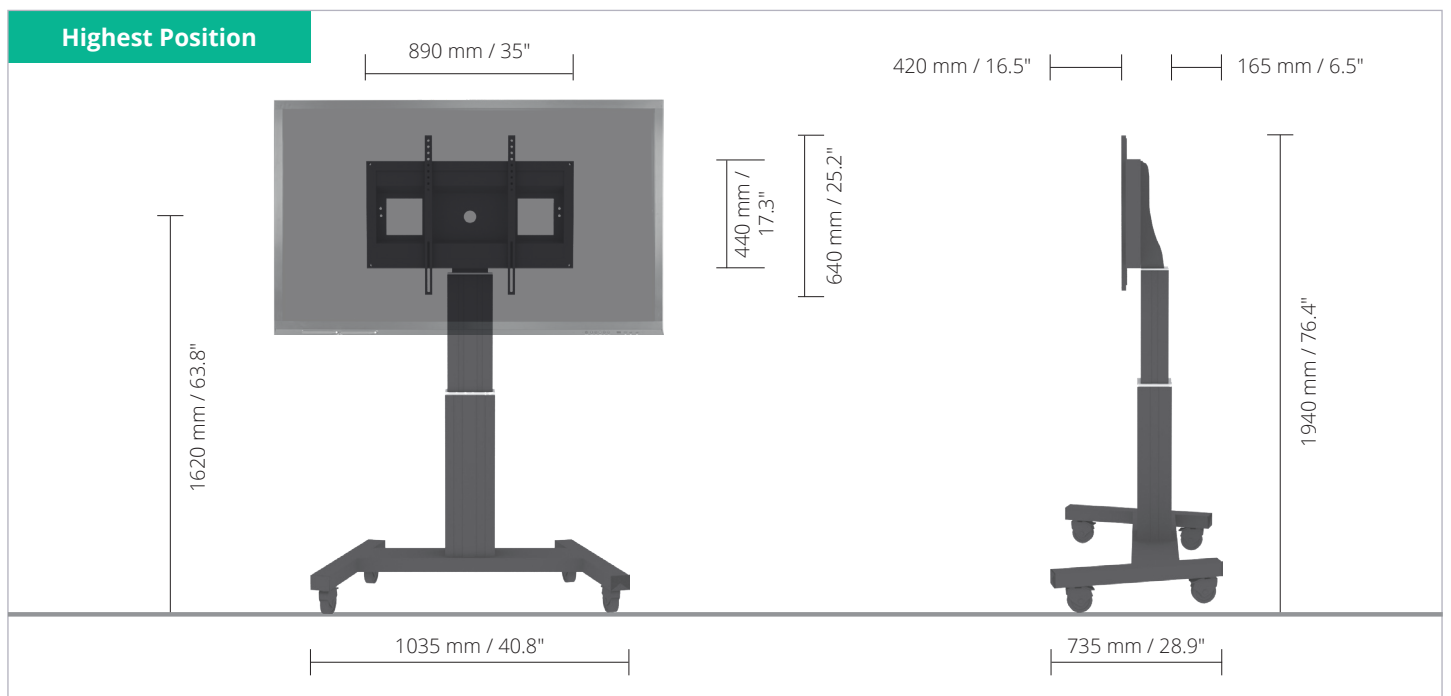


Mobile Height adjustable Trolley Lift for up to 86" displays

- Electrical height adjustable column, black anodized.
- 500 mm of height adjustment
- V-shaped mobile stand with four heavy duty castors – two with brakes, RAL 7021 black grey.
- Display mount for use with up to 86" screens.
- VESA 200 x 200 up to 800 x 600.
- Maximum load approximately 150 kg / 330.7 lbs.



Connecting people with technology

/ Detail Views, Accessories & Packing units

Detail views



Pull & release locking brackets for easier mounting of display

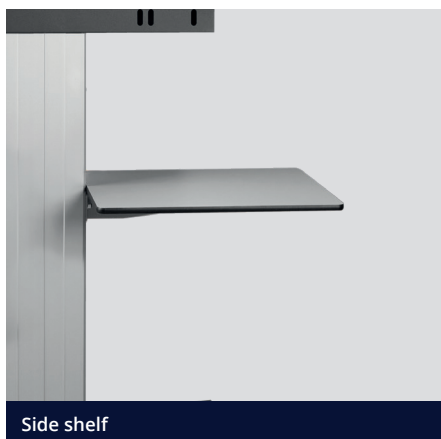


Smooth running & lockable castors



Wired remote control

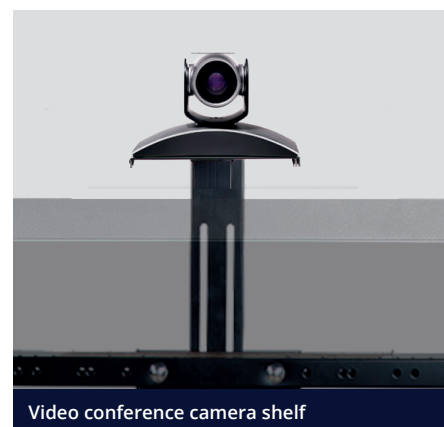
Accessories



Side shelf



Lockable wall bracket



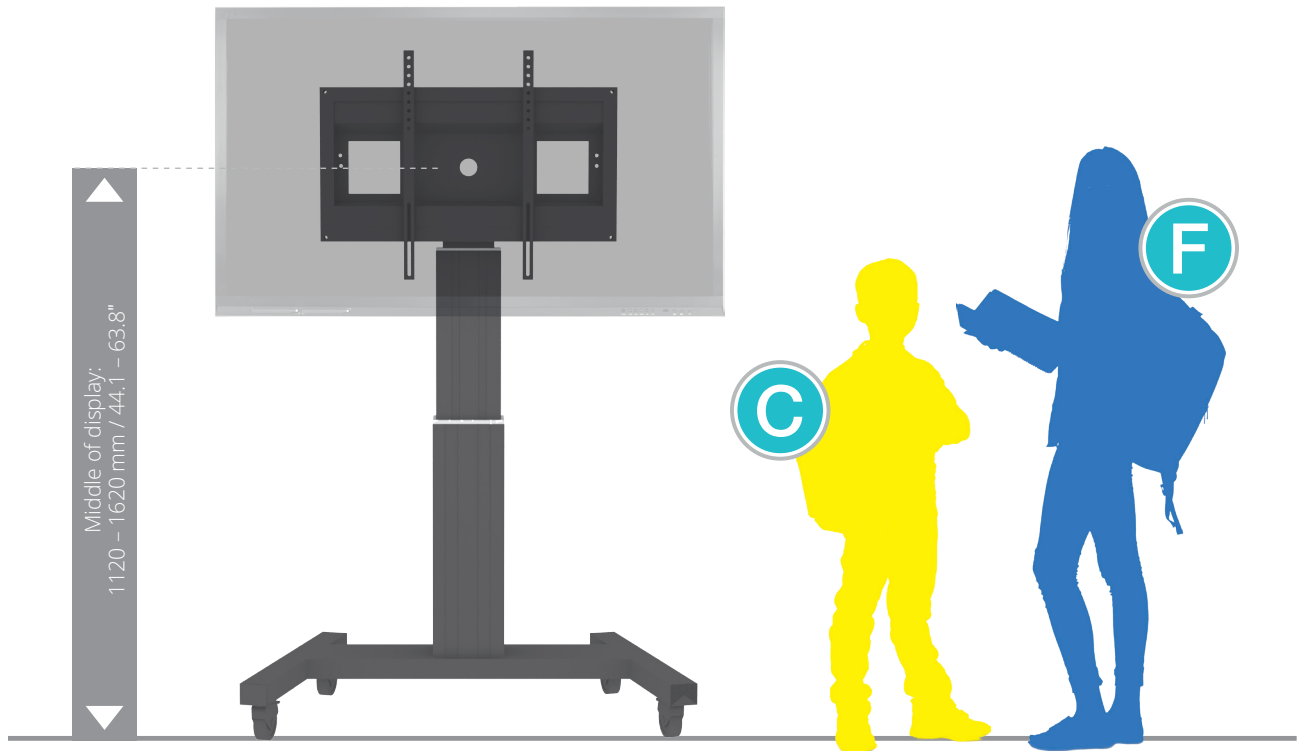
Video conference camera shelf

Packing units

Item no.	Description	Packing dimensions (mm / ")	Net weight (kg / lbs)	Gross weight (kg / lbs)
CCE-50B	Electrical height adjustable column, 500 mm / 19.7" height adjustment, L = 700 mm / 27.6"	970 x 270 x 220 / 38.2 x 10.6 x 8.7	18,0 / 39.7	19,5 / 43
AF-SCETA-N	Display mount	160 x 900 x 450 / 6.3 x 35.4 x 17.1	11,7 / 25.8	13,6 / 30
MST-SCETA-V	V-shaped mobile stand	1140 x 780 x 150 / 44.9 x 30.7 x 5.9	13,0 / 28.7	16,5 / 36.4
Total weight			42,7 / 94.2	49,6 / 109.4

/ Size Index

Size index



	Kindergarten		Primary school			Secondary school		Adults
	A	B	C	D	E	F	G	
Silhouette								
Age (years)	2-3	3-4	4-7	6-11	11-14	13-16	16+	
Body size (mm / ")	930-980 37-38.6	1080-1210 42.5-47.6	1190-1420 46.9-56	1330-1590 52.4-62.6	1460-1765 57.5-69.5	1590-1880 62.6-74	1740-2070 68.5-81.5	
Colour								